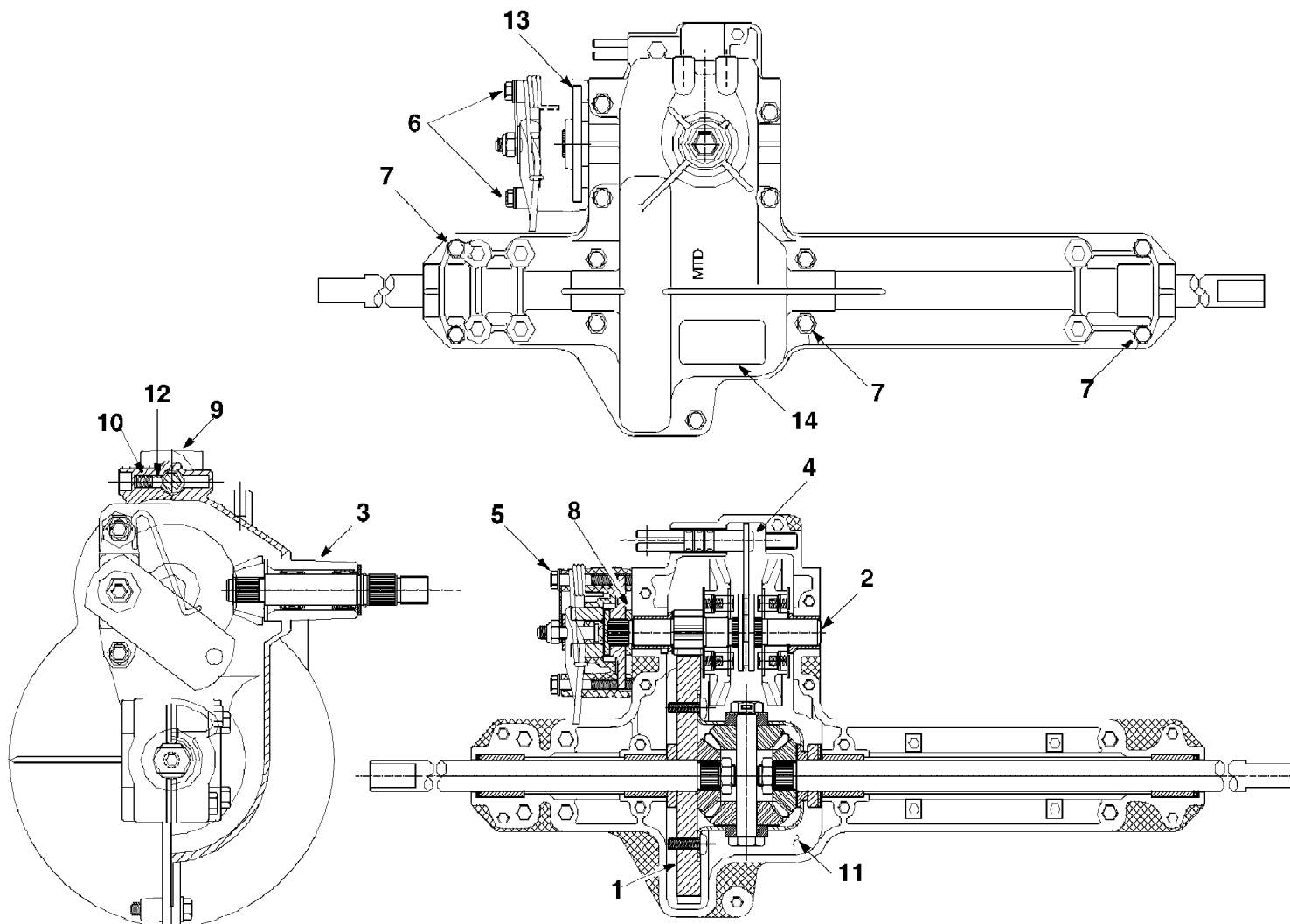


NOTE: For **painted parts**, please refer to the list of color codes below. Please add the applicable color code, wherever needed, to the part number to order a replacement part. For instance, if a part, numbered 700-xxxx, is painted Oyster Gray, the part number to order would be 700-xxxx-0662.

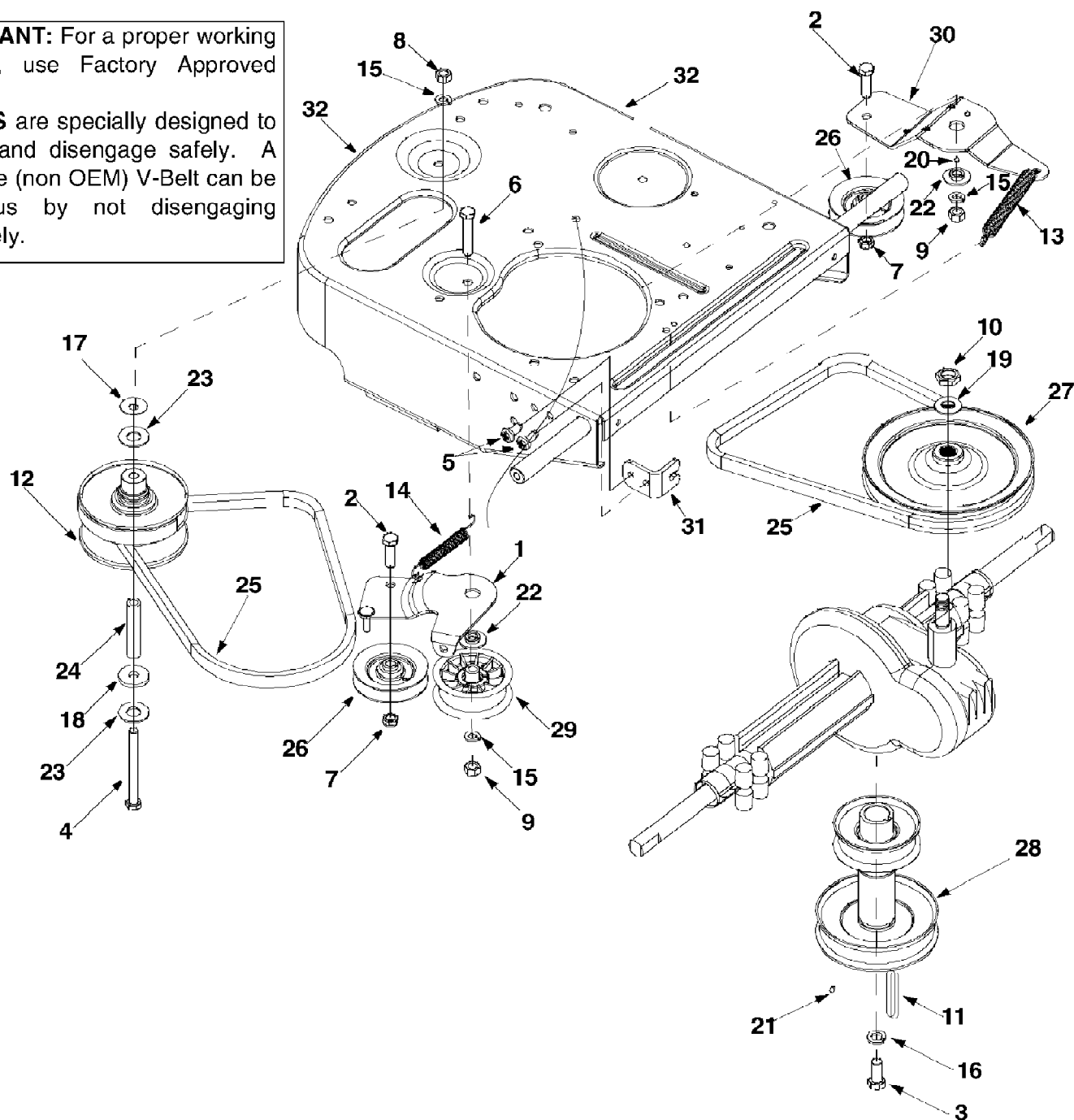
Oyster Gray: 0662
Powder Black: 0637
Red Metallic: 0650

Ref #	Part Number	Qty	S/P/F	Description
1	618-0250	1	S	Spindle Assembly
2	683-0150D	1	S	Deck Assembly
3	683-0159	1	S	Brake Bracket Assembly
4	683-0173	1		Deck Belt Cover
5	710-0134	1	/P	Carriage Screw 1/4-20 x .62"
6	710-0191	1	/P	Hex Bolt 3/8-24 x 1.25"
7	710-0347	1	/P	Hex Screw 3/8-16 x 1.75"
8	710-0599	1	/P	Self-Tapp. Screw 1/4-20 x .5"
9	710-0650	1	/P	Self-Tapp. Screw 5/16-18 x .75"
10	710-0672	1	/P	Hex Cap Scr. 5/16-24 x 1.25"
11	710-0932	1	/P	Carriage Screw
12	710-1611B	1	/P	Torx Screw 5/16-18 x .75"
13	712-0241	1	/P	Hex Nut 3/8-24
14	712-0287	1	S	Hex Nut 1/4-20
15	712-0417A	1	/P	Flange Nut 5/8-18
16	712-3017	1	S	Hex Nut 3/8-16
17	712-3057	1	S	Hex Nut 5/16-24
18	714-0115	1	S	Cotter Pin
19	726-0201	1		Speed Nut
20	726-0233	1	/P	Push Nut
21	732-0429A	1	S	Extension Spring
22	736-0101	1	S	Flat Washer 3/8 x 1.00 x .030"
23	736-0119	1	S	Lock Washer 5/16
24	736-0169	1	S	Lock Washer 3/8
25	736-0173	1	/P	Flat Washer
26	736-0289	1	S	Bushing
27	736-0300	1	S	Flat Washer .406 x .875 x .059"
28	736-0343	1	/P	Flat Washer .330 x 1.25 x .120"
29	736-3020	1	S	Flat Washer
30	738-0968	1	S	Spacer
31	742-0578	1	S	Blade: 27.5" Bagging
32	742-0651	1	S	Three-in-one Blade
33	747-0957	1		Link Rod
34	747-0972	1		Belt Keeper
35	747-1172	1	S	Belt Keeper
36	754-0754	1	S	V Belt
37	756-0627	1	S	Flat Idler Pulley
38	783-0463A	1	S	Idler Bracket
39	783-0529	1	S	Cable Bracket
40	783-0569B	1	S	Deck Plate
41	783-0594	1	S	Deck Cable Plate



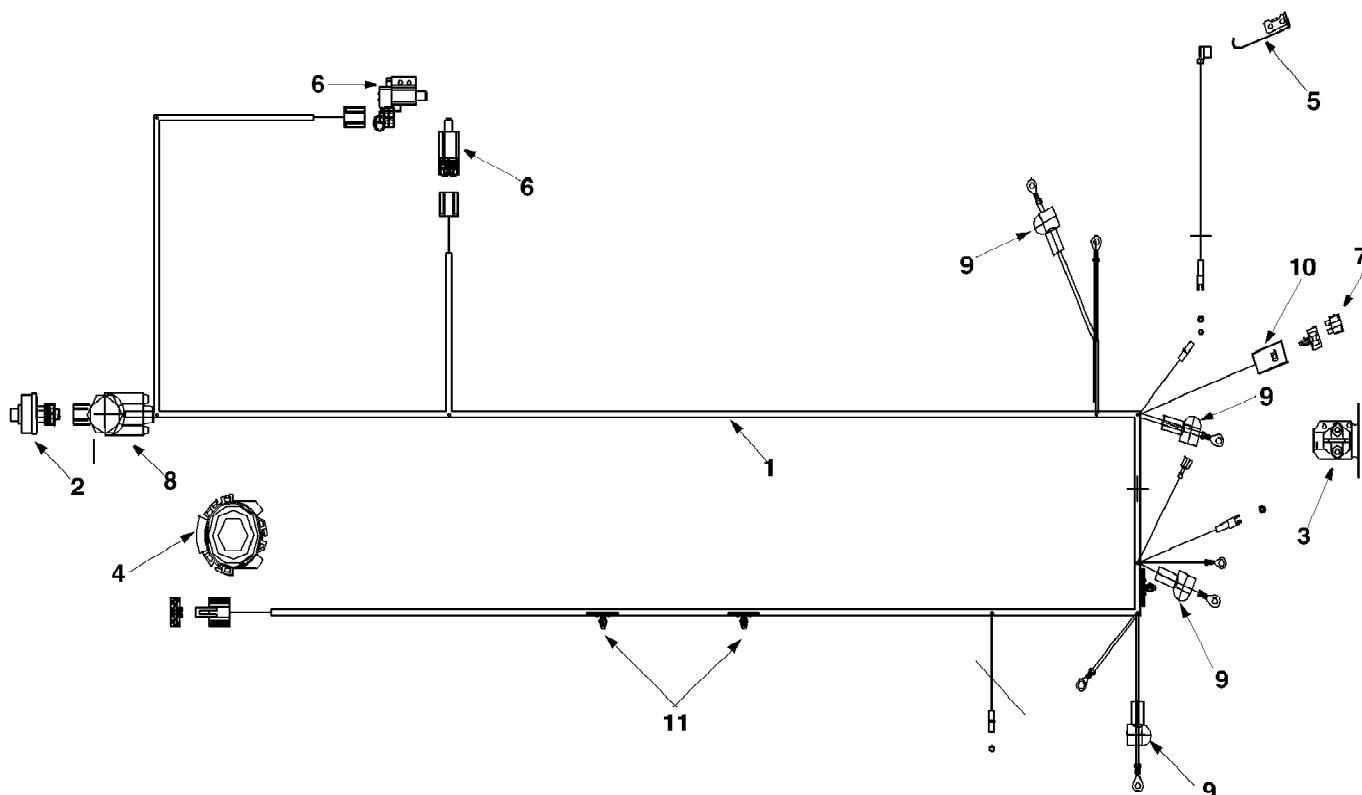
Ref #	Part Number	Qty	S/P/F	Description
1	618-0232	1	S	Differential Assembly: Single Speed
2	618-0248	1	S	Drive Shaft assembly: LH Brake
3	618-0072B	1	S	Upper Housing Assembly
4	611-0114	1		Detent Shaft Assembly
5	661-0006	1	S	Brake Yoke Assembly: LH
6	710-1206	1	/P	Hex Washer Hd. TT Screw 1/4-20 x 2.37
7	710-1325	1	/P	Hex Washer Hd. TT Screw 1/4-20 x 1.65
8	717-0678	1	S	Brake Puck
9	719-0313B	1	/P	Lower Housing
10	732-0863	1	S	Spring Detent
11	737-0148	1	S	Grease
12	741-0862	1	/P	Ball Detent
13	761-0202	1		Brake Disc
14	777-6318	1		Label
	618-0251A	1	S	Trans Assy Complete

IMPORTANT: For a proper working machine, use Factory Approved Parts.
V-BELTS are specially designed to engage and disengage safely. A substitute (non OEM) V-Belt can be dangerous by not disengaging completely.



Ref #	Part Number	Qty	S/P/F	Description
1	683-0147A	1	S	Idler Bracket Assembly
2	710-0191	1	/P	Hex Screw (Special)
3	710-0314	1	/P	Hex Screw 7/16-20 x 1.0"
4	710-0902	1		Hex Screw 3/8-24 x 3.75"
5	710-1611B	1	/P	TT Screw
6	710-3096	1	/P	Hex Screw 3/8-16 x 2.0"
7	712-0116	1	S	Jam Lock Nut
8	712-0241	1	/P	Hex Nut 3/8-24
9	712-3017	1	S	Hex Nut 3/8-16
10	712-3035	1	/P	Jam Nut 9/16-18
11	714-0114	1	S	Sq. Key
12	717-0884	1		Variable Speed Pulley Assembly
13	732-0814	1		Extension Spring
14	732-0815A	1		Extension Spring
15	736-0169	1	S	Lock Washer
16	736-0171	1	S	Lock Washer
17	736-0219	1	S	Bell Washer
18	736-0247	1	/P	Flat Washer
19	736-0427	1	S	Beleville Washer
20	737-0167	1		Grease
21	737-0288	1		Grease
22	738-0968	1	S	Shoulder Spacer
23	741-0405	1	S	Thrust Bearing
24	750-0705	1		Slv. Spacer
25	754-0453	1	S	V-Belt
26	756-0116	1	S	Idler Pulley
27	756-0650	1		Transmission Pulley
28	756-0658	1	S	Engine Pulley
29	756-0981A	1	S	Flat Idler Pulley
30	783-0528	1		Idler Bracket: Variable Speed
31	783-0529	1	S	Cable Bracket
32	683-0149B	1	/P	Frame Assembly

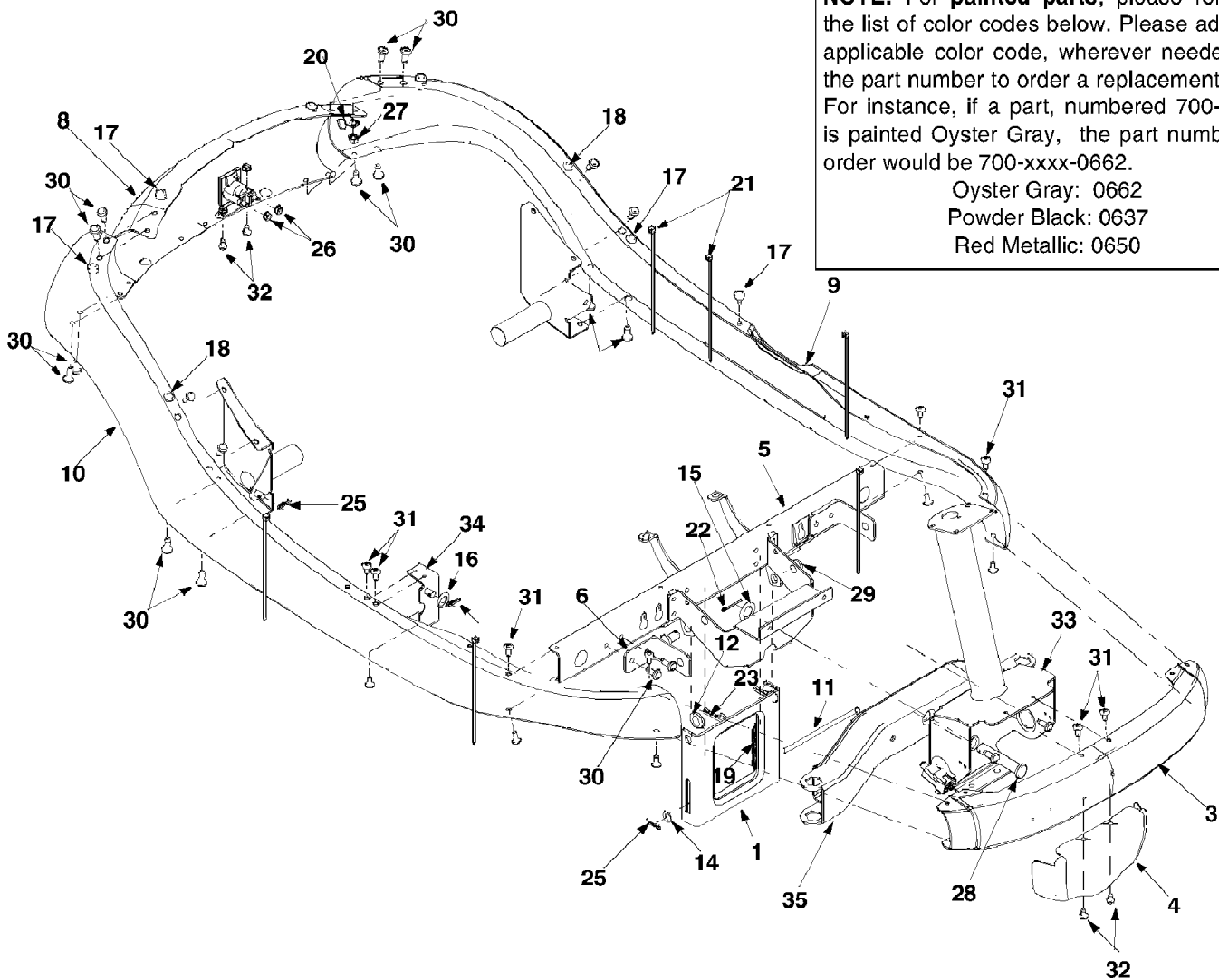
13A-328-190 LR-927 (2002)
Electrical



13A-328-190 LR-927 (2002)
Electrical

Page 8 of 30

Ref #	Part Number	Qty	S/P/F	Description
1	629-0945	1	S	Harness Assembly w/o relays
2	725-0267	1	S	Ignition Switch: 5 Pin
3	725-1426	1	S	Solenoid: 12 V. 100 amp.
4	725-1462	1		Seat Switch
5	725-1643	1		Spring Switch
6	725-1657A	1	S	Interlock Switch
7	725-1381	1	S	Fuse: 20 amp.
8	725-1726	1		Battery Cover
9	725-3237	1		Battery Cover: Red
10	729-0357	1		Fuse Holder w/Clip
11	729-0359	1		Harness Clip



NOTE: For painted parts, please refer to the list of color codes below. Please add the applicable color code, wherever needed, to the part number to order a replacement part. For instance, if a part, numbered 700-xxxx, is painted Oyster Gray, the part number to order would be 700-xxxx-0662.

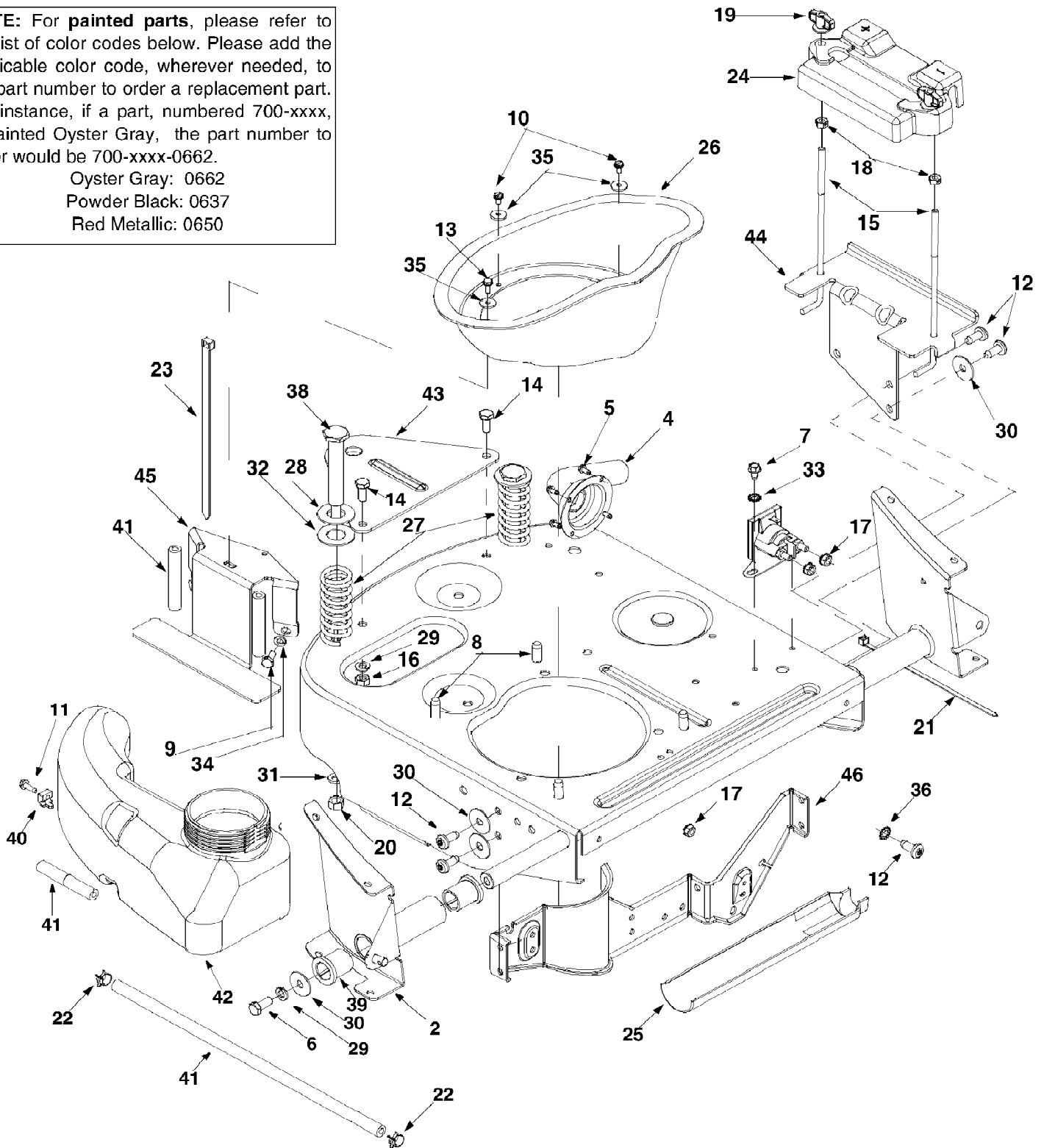
Oyster Gray: 0662
Powder Black: 0637
Red Metallic: 0650

Ref #	Part Number	Qty	S/P/F	Description
1	783-0605	1	S	Deck Stabilizing Bracket
3	783-0564A	1		Front Frame: Upper
4	783-0811	1	S	Steering Gear Cover
5	683-0264A	1	S	Front Channel Assembly
6	783-0554	1		Cam Bracket
8	783-0414A	1	/P	Frame Rail: Rear
9	783-0413	1		Frame Rail-L.H.
10	783-0412B	1	/P	Frame Rail-R.H.
11	747-0985	1		Deck Rod
12	736-3019	1		Flat Washer .531 X 1.062 X .134
14	736-0275	1	S	Flat Washer 5/16
15	736-0187	1	/P	Flat Washer .64 I.D. X 1.24 X .06
16	736-0101	1	S	Flat Washer 3/8 X 1.00 X .030
17	735-0271	1	S	Rubber Bumper
18	735-0199A	1	S	Rubber Bumper
19	732-0829	1	S	Extension Spring
20	726-0272	1	/P	Clamp: 9/16 dia.
21	725-0157	1	/P	Cable Tie
22	714-0470	1	S	Hairpin Clip
23	714-0147	1		Hairpin Clip
25	714-0104	1	S	Hairpin Clip
26	712-0271	1	/P	Hex Nut
27	712-0265	1	/P	Hex Nut 1/4-20
28	711-1165	1		Clevis Pin
29	711-0332	1	S	Lift Bracket Pin
30	710-1611B	1	/P	TT Screw 5/16-18 x .75
31	710-1017	1	/P	Torx Mach. AB Scr. 1/4-14 x 0.625"
32	710-0599	1	/P	Hex TT Screw 1/4-20
33	683-0163A	1	S	Steering Support Bracket
34	683-0160	1		Pivot Bracket Assembly: Hood
35	683-0142	1		Pivot Bar Assembly

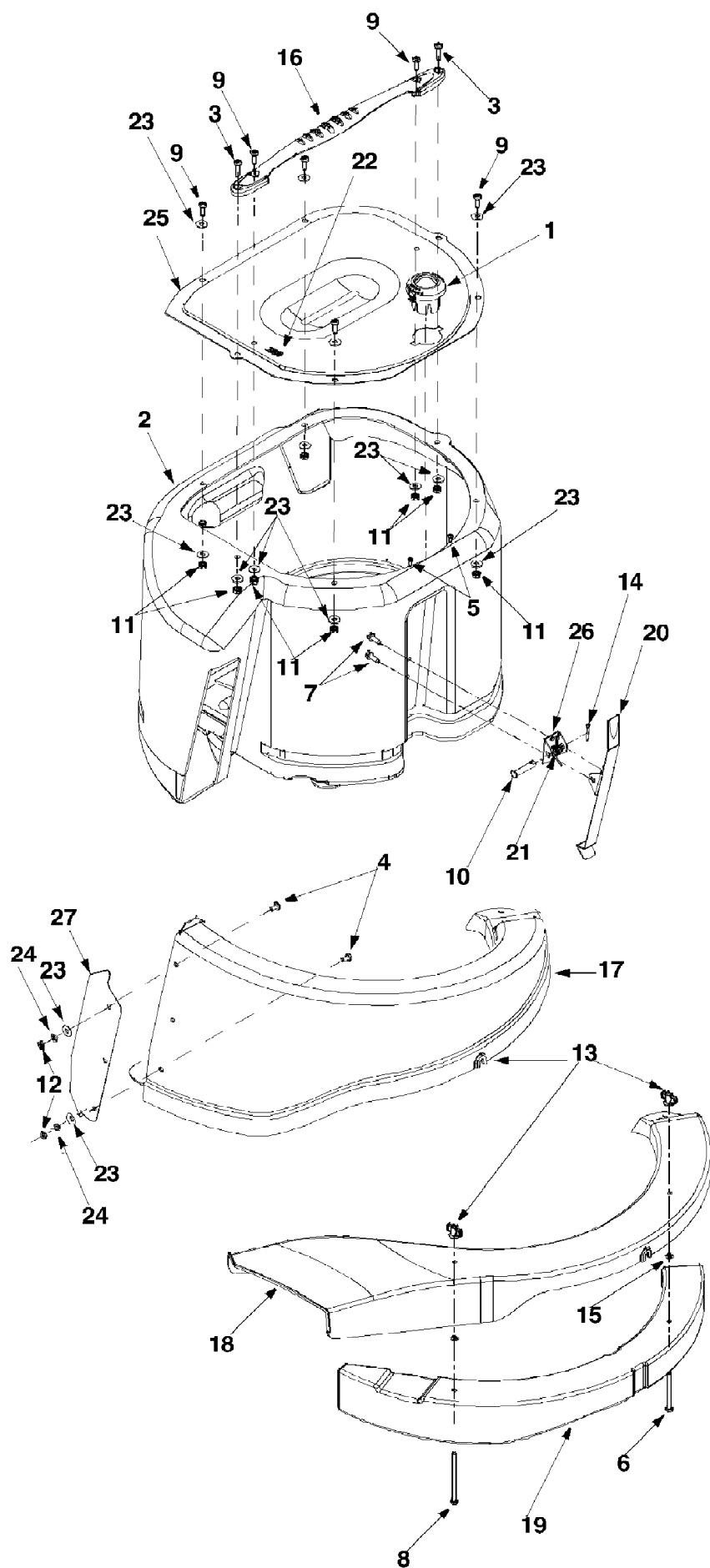
13A-328-190 LR-927 (2002)
Fuel Tank & General Assembly

NOTE: For **painted parts**, please refer to the list of color codes below. Please add the applicable color code, wherever needed, to the part number to order a replacement part. For instance, if a part, numbered 700-xxxx, is painted Oyster Gray, the part number to order would be 700-xxxx-0662.

- Oyster Gray: 0662
- Powder Black: 0637
- Red Metallic: 0650



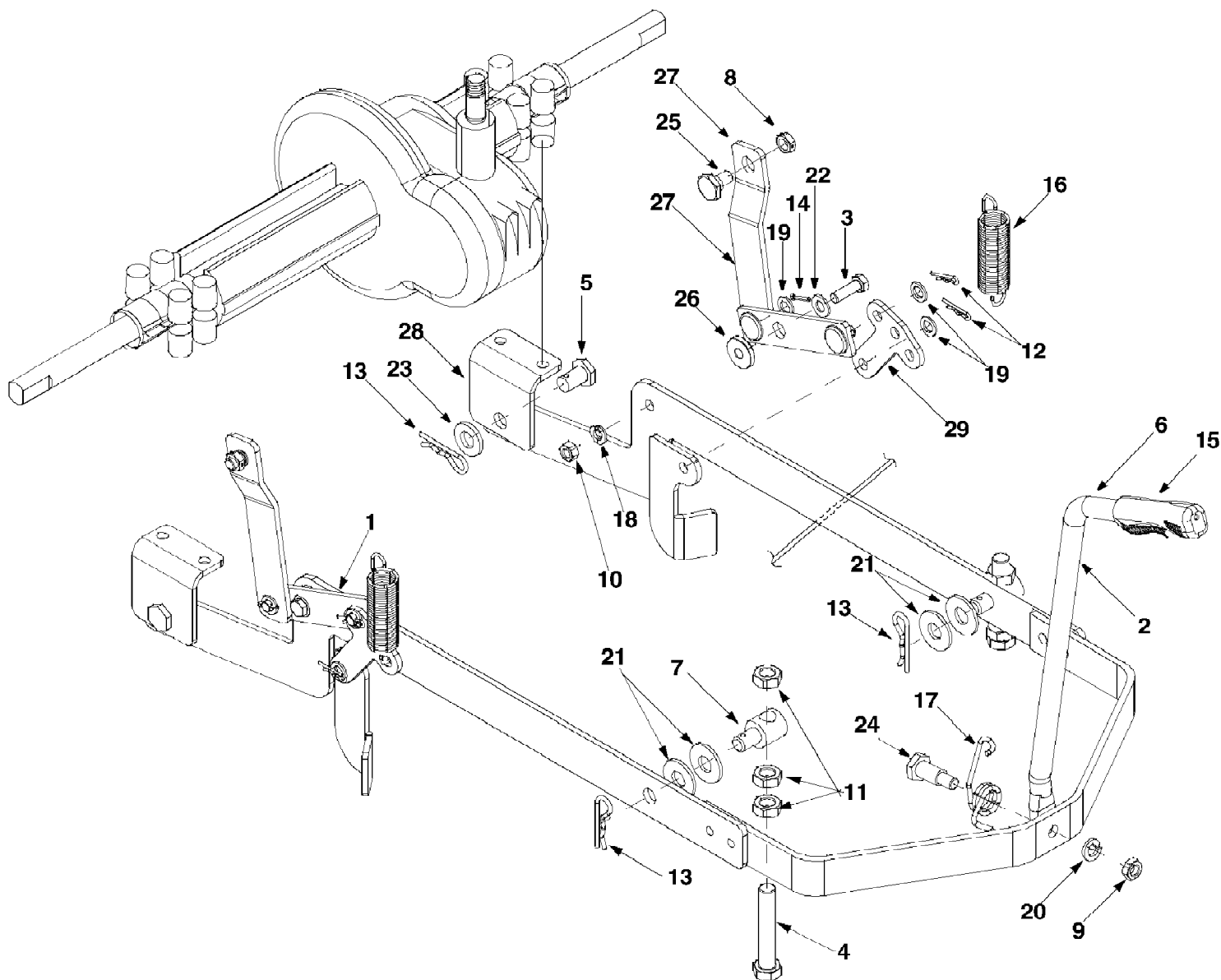
Ref #	Part Number	Qty	S/P/F	Description
?1	683-0149B	1	/P	Frame Assembly
2	683-0190A	1	S	Frame Rail Support: RH
?3	683-0191A	1	S	Frame Rail Support: LH
4	683-0192	1		Muffler Pipe Extension
5	710-0148	1	/P	Hex Fl. Screw #8-32 x 0.375
6	710-0157	1	/P	Hex Screw 5/16-24 x .75" Gr.5
7	710-0599	1	/P	Self-Tapping Screw
8	710-0654A	1	/P	TT Screw 3/8-16 x 1.0"
9	710-0751	1	/P	Hex Screw 1/4-20 x 0.5"
10	710-0871	1		Hex Slot Sems Screw #10-32 x 0.38
11	710-1237	1		TT Screw #10-32 x 0.625"
12	710-1611B	1	/P	TT Screw 5/16-18 x 0.75"
13	710-1653	1		Machine Screw #10-32 x 0.5"
14	710-3008	1	/P	Hex Screw 5/16-18 x 0.75"
15	711-0222A	1	S	Battery Hold-Down Rod
16	712-0267	1	S	Hex Nut 5/16-18
17	712-0271	1	/P	Hex Sems Nut 1/4-20
18	712-0291	1	S	Lock Nut 1/4-20
19	712-0397	1	S	Wing Nut with Bell Washer
20	712-3017	1	S	Hex Nut
21	725-0157	1	/P	Cable Tie
22	726-0205	1	/P	Hose Clamp
23	726-0209	1	/P	Cable Tie
24	731-0708	1		Battery Cover
25	731-1682A	1	/P	Oil Drain Sleeve
26	731-1945A	1		Engine Duct
27	732-3080A	1	/P	Compression Spring
28	735-0273	1		Rubber Washer
29	736-0119	1	S	Lock Washer
30	736-0123	1	S	Flat Washer
31	736-0169	1	S	Lock Washer
32	736-0188	1	/P	Flat Washer
33	736-0222	1	S	Lock Washer
34	736-0329	1	S	Lock Washer
35	736-0400	1	S	Flat Washer
36	736-0607	1	/P	Lock Washer
?37	737-0169	1		Motor Oil
38	738-0960	1		Shoulder Screw
39	741-0516	1	S	Flange Bearing
40	751B213146	1	/P	Throttle Casing Clamp
41	751-0535	1		Fuel Line Hose
42	751-0656	1		Fuel Tank
43	783-0561	1	S	Hitch Plate
44	783-0624	1	S	Battery Bracket
45	783-0630C	1		Fuel Tank Bracket
46	783-0809B	1	S	Transaxle Support Bracket
47	725-1698	1	S	Battery (Not shown)



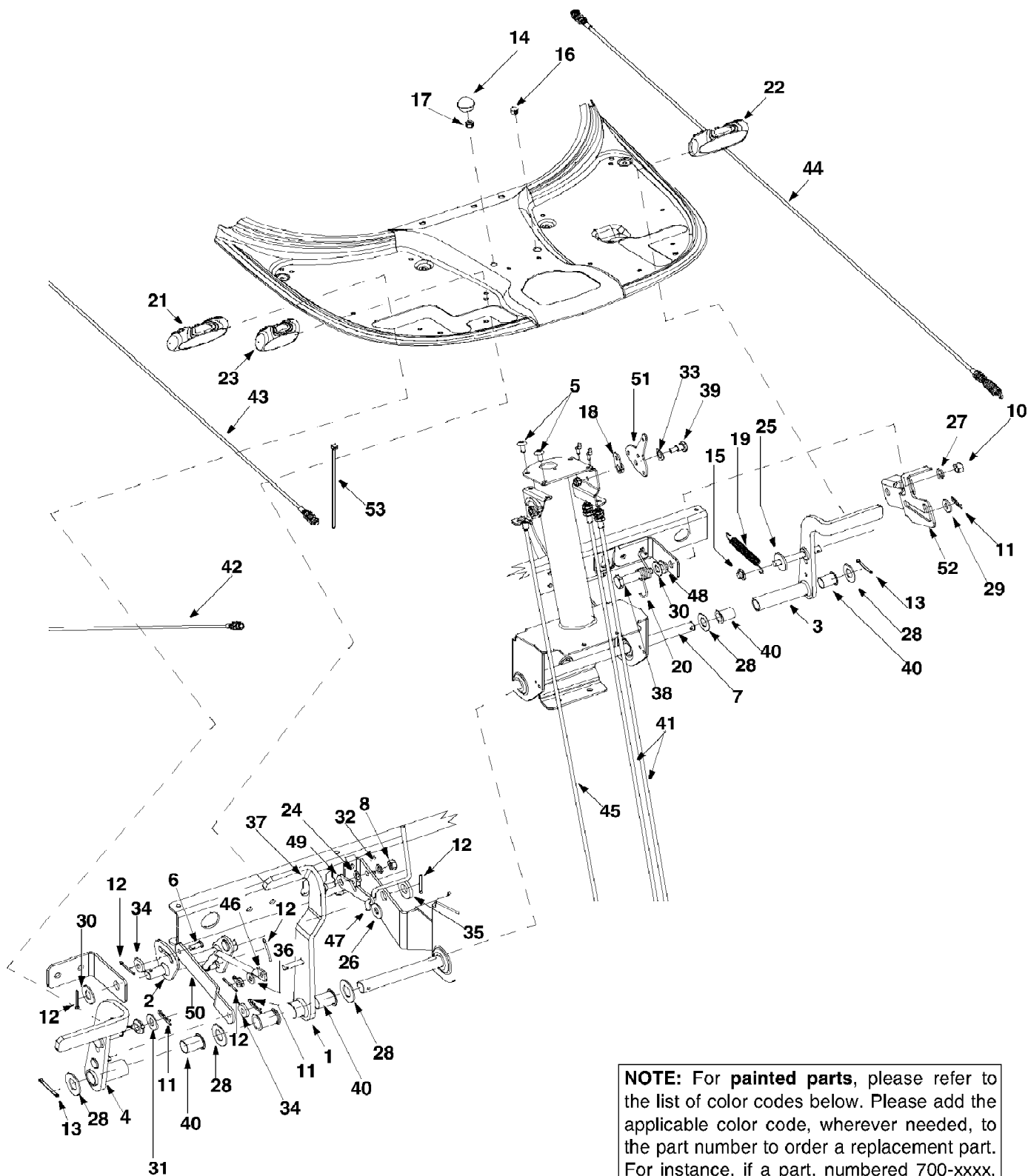
13A-328-190 LR-927 (2002)
Grass Bag Assembly

Page 14 of 30

Ref #	Part Number	Qty	S/P/F	Description
1	631-0060	1	S	Flow Indicator Assembly
2	631-0080	1	S	Grass Bag Assembly
3	710-0166	1	S	Machine Screw 1/4-20 x 1.0
4	710-0286	1	/P	Machine Screw 1/4-20 x 0.5"
5	710-0456	1		Hex Screw #10-16 x 0.5"
6	710-0564	1	/P	Hex Screw 1/4-20 x 2.75"
7	710-0642	1	/P	Self-Tapping Screw 1/4-20 x 0.75"
8	710-0825	1	/P	Hex Screw 1/4-20 x 3.75"
9	710-0924	1	/P	Machine Screw 1/4-20 x 0.75"
10	711-0415	1	S	Clevis Pin
11	712-0271	1	/P	Hex Sems Nut 1/4-20
12	712-0298	1	S	Jam Nut
13	712-0397	1	S	Wing Nut
14	714-0115	1	S	Cotter Pin
15	726-0271	1	S	Speed Nut
16	731-1441	1		Bag Handle
17	731-1743A	1	/P	Discharge Chute: Grass Bag
18	731-1744	1		Side-Discharge Chute
19	731-1745A	1	/P	Mulching Plug
20	732-0839	1	S	Bag Release Lever
21	732-0841	1	S	Torsion Spring
22	732-0854	1		Clip Spring
23	736-0173	1	/P	Flat Washer
24	736-0329	1	S	Lock Washer
25	783-0544A	1	S	Grass Bag Screen
26	783-0575A	1	S	Pivot Bracket
27	783-0645	1	S	Deflector Plate



Ref #	Part Number	Qty	S/P/F	Description
1	683-0152	1		Pivot Link Assembly
2	683-0194A	1	S	Lift Arm Assembly
3	710-0376	1	/P	Hex Screw 5/16-18 X 1.00 Gr.5
4	710-3230	1		Hex Bolt 1/2-13 X 2.75 Gr.5 Spec.
5	711-0332	1	S	Lift Bracket Pin
6	711-1120	1		Lift Rod
7	711-3319	1	S	Ferrule
8	712-0266	1	S	Jam Nut
9	712-3008	1	S	Jam Nut 3/8-16 Gr. 5
10	712-3010	1	S	Hex Nut 5/16-18
11	712-3048	1	S	Jam Nut
12	714-0104	1	S	Cotter Pin
13	714-0147	1		Cotter Pin
14	714-3010	1	/P	Cotter Pin
15	720-0298	1		Handle Grip
16	732-0829	1	S	Extension Spring
17	732-0837	1		Torsion Spring
18	736-0119	1	S	Lock Washer 5/16
19	736-0140	1	S	Flat Washer .385 x .620
20	736-0169	1	S	Lock Washer
21	736-0257	1	S	Flat Washer
22	736-0275	1	S	Flat Washer 5/16
23	736-3019	1		Flat Washer
24	738-0145	1	S	Shoulder Screw
25	738-0183	1	S	Shoulder Screw
26	738-0958	1	S	Shoulder Spacer
27	783-0435	1		Upper Deck Link
28	783-0437	1		Axle Bracket: Rear
29	783-0440	1	S	Lower Link

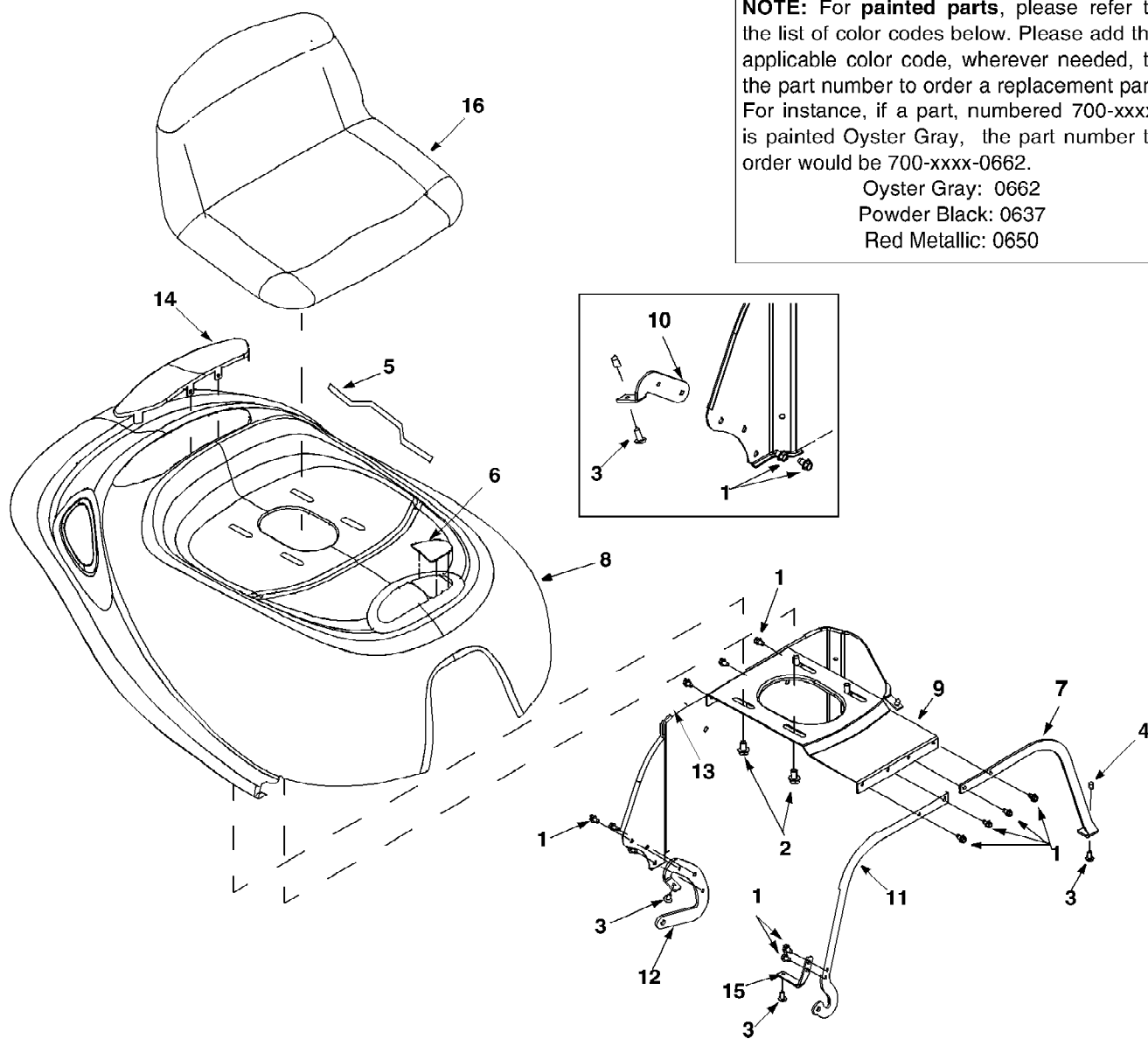


NOTE: For **painted parts**, please refer to the list of color codes below. Please add the applicable color code, wherever needed, to the part number to order a replacement part. For instance, if a part, numbered 700-xxxx, is painted Oyster Gray, the part number to order would be 700-xxxx-0662.

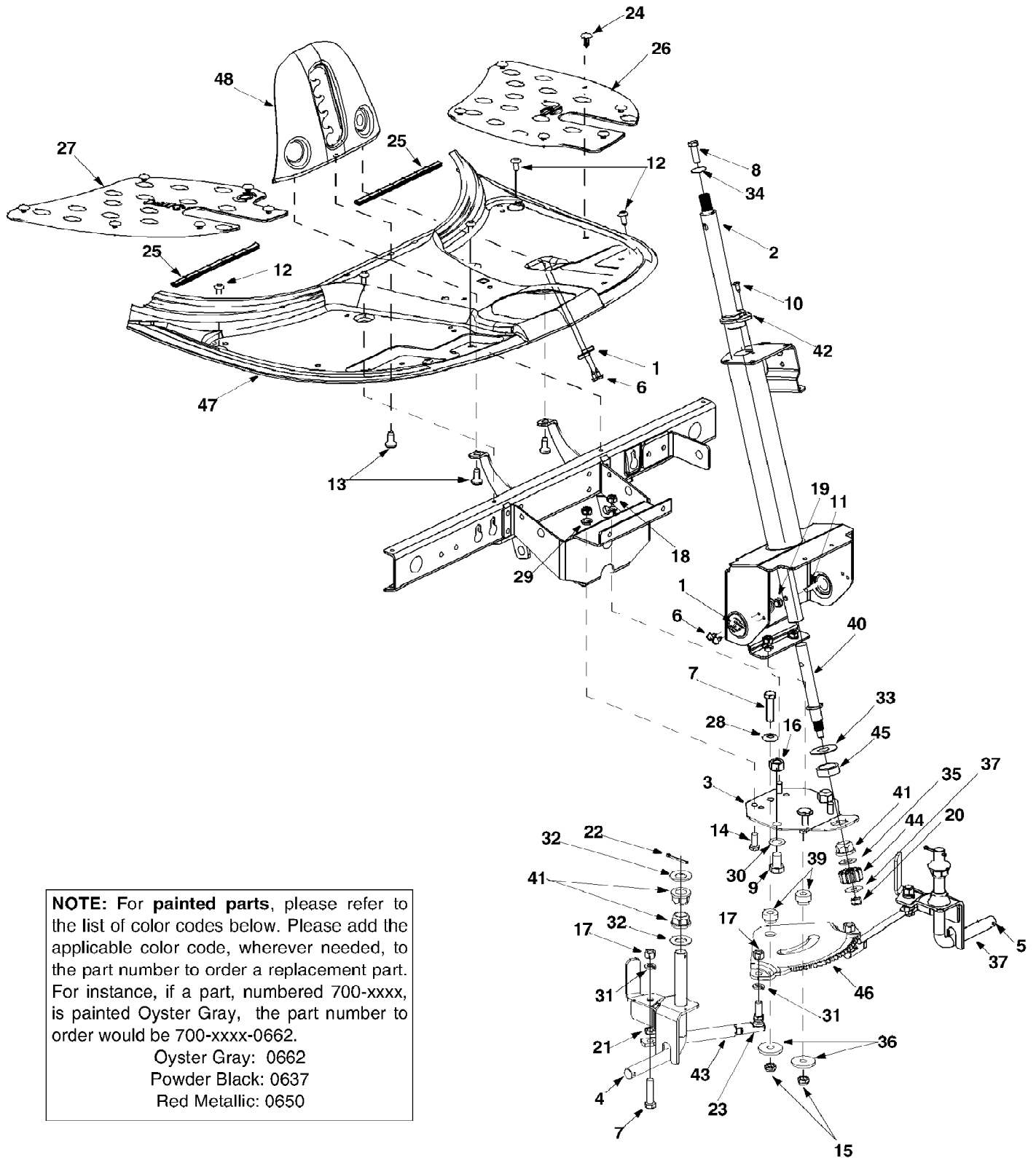
Oyster Gray: 0662
 Powder Black: 0637
 Red Metallic: 0650

Ref #	Part Number	Qty	S/P/F	Description
1	683-0155A	1	S	Brake Pedal Assembly
2	683-0161	1	S	Shift Cam Assembly
3	683-0275A	1		Deck Pedal Assembly
4	683-0310A	1	S	Variable Pedal Assembly
5	710-1017	1	/P	Ab Screw 1/4-14 X .625
6	711-0701	1	S	Clevis Pin
7	711-1156	1		Shaft
8	712-0287	1	S	Hex Nut 1/4-20
9	712-0324	1	/P	Lock Nut 1/4-20
10	712-3017	1	S	Hex Nut 3/8-16
11	714-0104	1	S	Internal Cotter Pin
12	714-0111	1	S	Hairpin Clip
13	714-0470	1	S	Hairpin Clip
14	720-0166	1	/P	Ball Knob
15	726-0100	1	S	Push Cap
16	726-0450	1		Plug Cap
17	731-0405	1		Snap-on Bushing
18	731-1913	1		Stop Lever
19	732-0815A	1		Extension Spring
20	732-0865	1		Torsion Spring
21	735-0261	1		Drive Pad
22	735-0262	1		Deck Pad
23	735-0263	1		Brake Pad
24	736-0117	1	S	Flat Washer 3/8 X .620 X .033
25	736-0133	1	S	Flat Washer.411 x 1.25" x .100
26	736-0159	1	S	5/16 Washer
27	736-0169	1	S	Lock Washer
28	736-0187	1	/P	Flat Washer
29	736-0262	1	/P	Flat Washer
30	736-0272	1	S	Flat Washer .510 X 1.00 X .060
31	736-0300	1	S	Flat Washer
32	736-0329	1	S	Lock Washer
33	736-0608	1	S	Spring Washer
34	736-3000	1		Flat Washer
35	736-3019	1		Flat Washer .531 X 1.062 X .134
36	736-3020	1	S	Flat Washer .271 X .630 X .065
37	738-0255	1	S	Shoulder Screw .375 Dia X .18
38	738-0373	1	S	Shoulder Screw
39	738-0974	1	S	Shoulder Screw .375 X .380 X 1/4-20
40	741-0591	1	S	Flange Bearing
41	746-0935A	1	S	Shift Cable
42	746-0936	1	S	Variable Drive Cable
43	746-0937	1	S	Brake Cable
44	746-0940	1	S	Deck Cable
45	746-0964	1	S	Throttle Choke Cable: 67"
46	747-0963A	1		Brake Rod
47	747-0964	1		Brake Lock Out Rod
48	750-0736	1	S	Shoulder Spacer
49	783-0473	1	S	Brake Lock Out Bracket
50	783-0525	1	S	Self-Propelled Pedal Link
51	783-0593A	1		Shift Lever
52	783-0794	1	S	Bracket: Lock-Out Pedal
53	726-0157			

NOTE: For **paint**ed parts, please refer to the list of color codes below. Please add the applicable color code, wherever needed, to the part number to order a replacement part. For instance, if a part, numbered 700-xxxx, is painted Oyster Gray, the part number to order would be 700-xxxx-0662.
Oyster Gray: 0662
Powder Black: 0637
Red Metallic: 0650



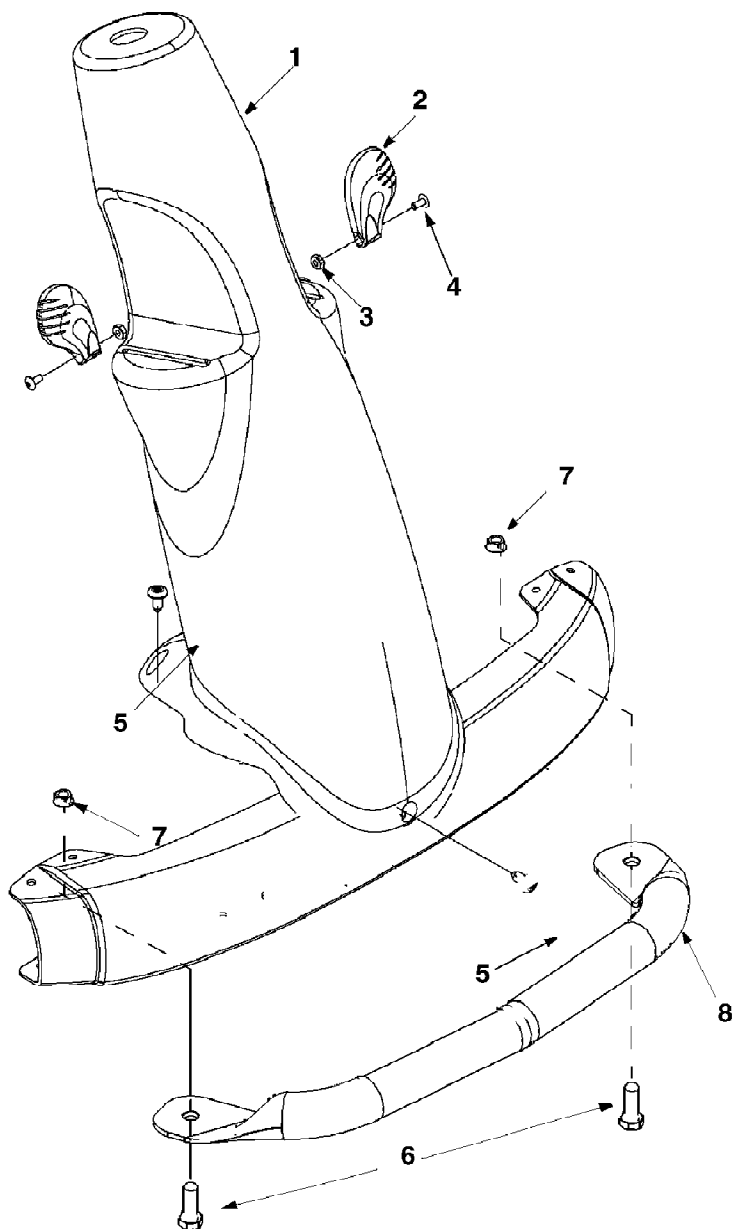
Ref #	Part Number	Qty	S/P/F	Description
1	710-0599	1	/P	TT Screw 1/4-20 x 0.5
2	710-0870	1	/P	TT Screw 3/8-16 x 0.62
3	710-1017	1	/P	Torx AB Screw 1/4-14 x 0.625
4	720-0238	1		Rod End Grip
5	731-0511	1	/P	Trim Strip
6	731-1691A	1	/P	Grass Bag Lens
7	783-0410	1	S	Bracket Reinforcement: Hood
8	783-0445	1		Hood
9	783-0446	1	S	Plate: Hood
10	783-0447	1		Hood Bracket
11	783-0448	1	S	Hood Bracket: Reinforcement
12	783-0449A	1	S	Hinge Bracket: Rear
13	783-0451A	1	S	Pivot Plate: Rear Hood
14	783-0545	1		Hood Screen
15	783-0562	1	S	Hinge Bracket: Front
16	757-0381	1	S	Seat: Medium, Black



NOTE: For **painted parts**, please refer to the list of color codes below. Please add the applicable color code, wherever needed, to the part number to order a replacement part. For instance, if a part, numbered 700-xxxx, is painted Oyster Gray, the part number to order would be 700-xxxx-0662.

Oyster Gray: 0662
 Powder Black: 0637
 Red Metallic: 0650

Ref #	Part Number	Qty	S/P/F	Description
1	17962	1		Switch Plate
2	650-0007	1	S	Steering Tube Assembly
3	683-0033A	1		Steering Support Bracket
4	683-0178A	1	/P	Front Axle Assembly: RH
5	683-0179A	1	S	Front Axle Assembly: LH
6	710-0224	1	S	Hex Screw AB
7	710-0459A	1	/P	Hex Screw 3/8-24 x 1.5" Gr.5 Sp.
8	710-0643	1	/P	Lock Screw 5/16-18 x 1.0" Gr.5
9	710-0689	1	/P	Hex Screw 1/2-13 x 0.75"
10	710-0837	1		Oval C-Sunk Screw #10-16 x 0.625"
11	710-0958	1	/P	Hex Screw 1/4-20 x 1.25 Gr.5 Sp.
12	710-1017	1	/P	AB Screw 1/4-14 x 0.625"
13	710-1611B	1	/P	Self-Tapping Screw 5/16-18 x 0.75"
14	710-3008	1	/P	Hex Screw 5/16-18 x 0.75"
15	712-0116	1	S	Lock Nut 3/8-24
16	712-0206	1	S	Hex Nut 1/2-13
17	712-0241	1	/P	Hex Nut
18	712-0267	1	S	Hex Nut
19	712-0324	1	/P	Lock Nut 1/4-20
20	712-0411	1	S	Lock Nut
21	712-0711	1	/P	Jam Nut
22	714-0470	1	S	Cotter Pin
23	723-0156	1	S	Ball Joint
24	726-3046	1	/P	Ratchet Clip
25	731-0511	1	/P	Trim Strip
26	735-0674	1		Floor Pad: LH
27	735-0266A	1	/P	Floor Pad: RH
28	736-0105	1	/P	Bell Washer
29	736-0119	1	S	Lock Washer
30	736-0160	1	S	Flat Washer
31	736-0169	1	S	Lock Washer
32	736-0187	1	/P	Flat Washer
33	736-0196	1		Flat Washer
34	736-0242	1	/P	Beleville Washer
35	736-0272	1	S	Flat Washer
36	736-0320	1	/P	Flat Washer
37	736-3078	1	/P	Flat Washer
?38	737-3007	1		Grease
39	738-0541	1	S	Spacer
40	738-3089A	1	/P	Steering Adapter
41	741-0225	1	S	Hex Flange Bearing
42	741-0356	1		Bearing: Steering Column
43	747-0955	1		Tie Rod
44	748-0290	1	S	Pinion Gear
45	750-0532	1	S	Spacer
46	783-0411	1		Gear: Steering Segment
47	783-0565C	1	/P	Upper Frame Cover
48	783-1013	1		Lift Plate

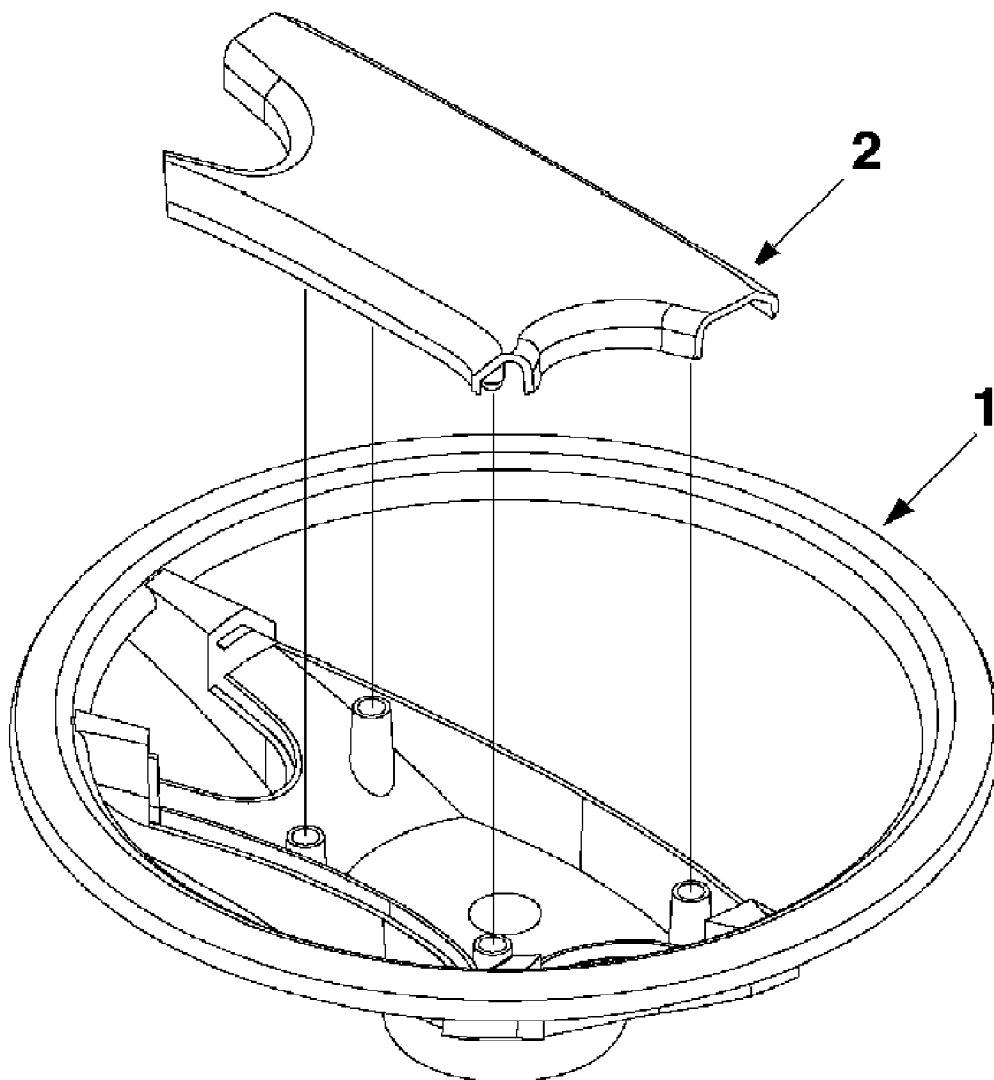


NOTE: For **painted parts**, please refer to the list of color codes below. Please add the applicable color code, wherever needed, to the part number to order a replacement part. For instance, if a part, numbered 700-xxxx, is painted Oyster Gray, the part number to order would be 700-xxxx-0662.
Oyster Gray: 0662
Powder Black: 0637
Red Metallic: 0650

13A-328-190 LR-927 (2002)
Steering Column

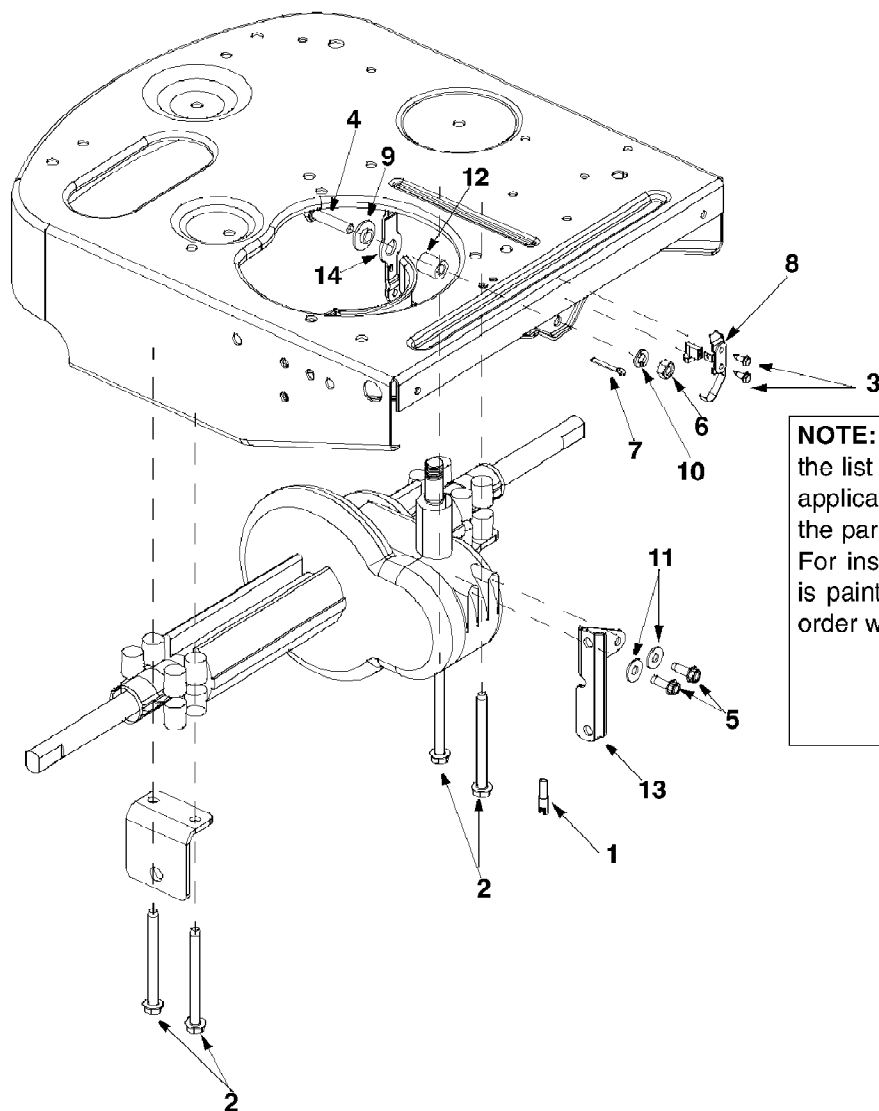
Page 24 of 30

Ref #	Part Number	Qty	S/P/F	Description
1	731-1919	1		Steering Column: Black
2	731-1857	1		Control Knob
3	712-0142	1	/P	Hex Nut 8-32
4	710-3217	1	/P	Pan Head Machine Screw #8-32
5	710-0599	1	/P	Hex Screw TT 1/4-20 x .50"
6	710-0514	1	/P	Hex Screw 3/8-16 x 1.0"
7	712-0431	1	S	Lock Nut
8	749-1099	1		Bumper Tube: Front



13A-328-190 LR-927 (2002)
Steering Wheel

Ref #	Part Number	Qty	S/P/F	Description
1	731-2624	1		Steering Wheel: Soft Grip
2	731-2625	1		Steering Wheel Cap



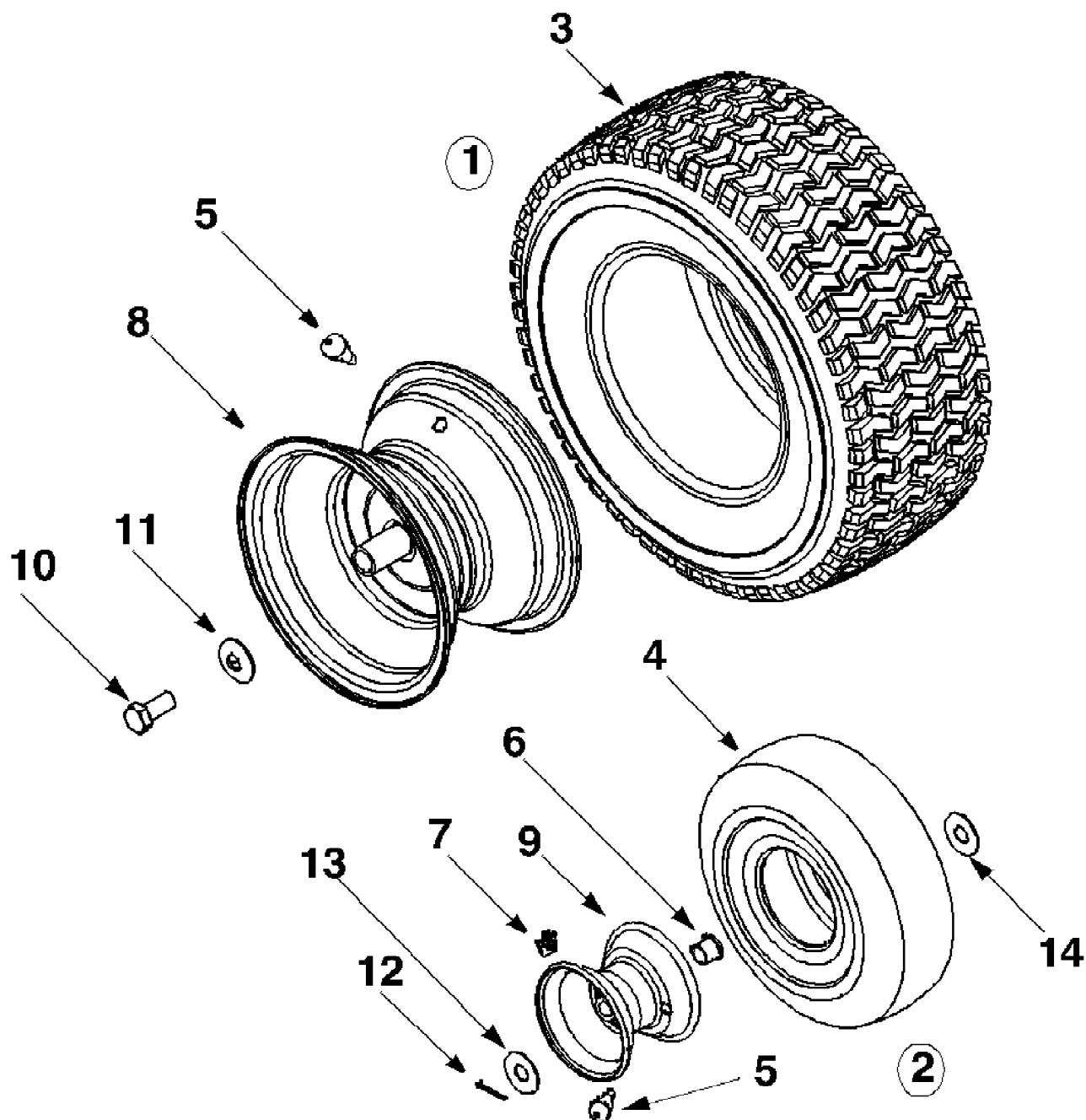
NOTE: For **painted parts**, please refer to the list of color codes below. Please add the applicable color code, wherever needed, to the part number to order a replacement part. For instance, if a part, numbered 700-xxxx, is painted Oyster Gray, the part number to order would be 700-xxxx-0662.

Oyster Gray: 0662
Powder Black: 0637
Red Metallic: 0650

13A-328-190 LR-927 (2002)
Transaxle Bracket

Page 28 of 30

Ref #	Part Number	Qty	S/P/F	Description
1	629-0865	1		Harness Assembly Adapter
2	710-1208	1	/P	Hex TT Screw 5/16-18 x 3.50
3	710-0227	1	/P	Hex Washer Head Self-Tap.Scw
4	710-0805	1	/P	Hex Screw 5/16-18 x 1.5 Gr. 5
5	710-0642	1	/P	Thd. Forming Scr. 1/4-20x .75
6	712-3010	1	S	Hex Nut 5/16-18
7	714-0115	1	S	Cotter Pin
8	726-0320	1	S	Insulator Nut Plate
9	736-0289	1	S	Shoulder Bushing
10	736-0119	1	S	Lock Washer 5/16
11	736-3000	1		Flat Washer
12	750-1064	1	S	Spacer
13	783-0591	1	S	Transaxle Bracket
14	783-0433A	1	/P	Shift Lever



13A-328-190 LR-927 (2002)
Wheels

Page 30 of 30

Ref #	Part Number	Qty	S/P/F	Description
1	634-0139	1		Rear Wheel Compl.
2	634-0169A	1	/P	Front Wheel Compl.
3	734-1727	1	/P	Rear Tire
4	734-1382	1	S	Front Tire
5	734-0255	1	S	Valve: Tubeless Air
6	737-0211A	1	/P	Grease Fitting
7	741-0353	1	S	Flange Bearing
8	634-0138	1	/P	Rim Assembly
9	634-0170A	1		Rim Assembly
10	710-0627	1	/P	Hex Bolt 5/16-24 x .75"
11	736-0242	1	/P	Beleville Washer
12	714-0115	1	S	Cotter Pin
13	736-0285	1	/P	Flat Washer
14	736-0156	1	/P	Flat Washer
15	731-0484A	1	S	Hub Cap (Not shown)